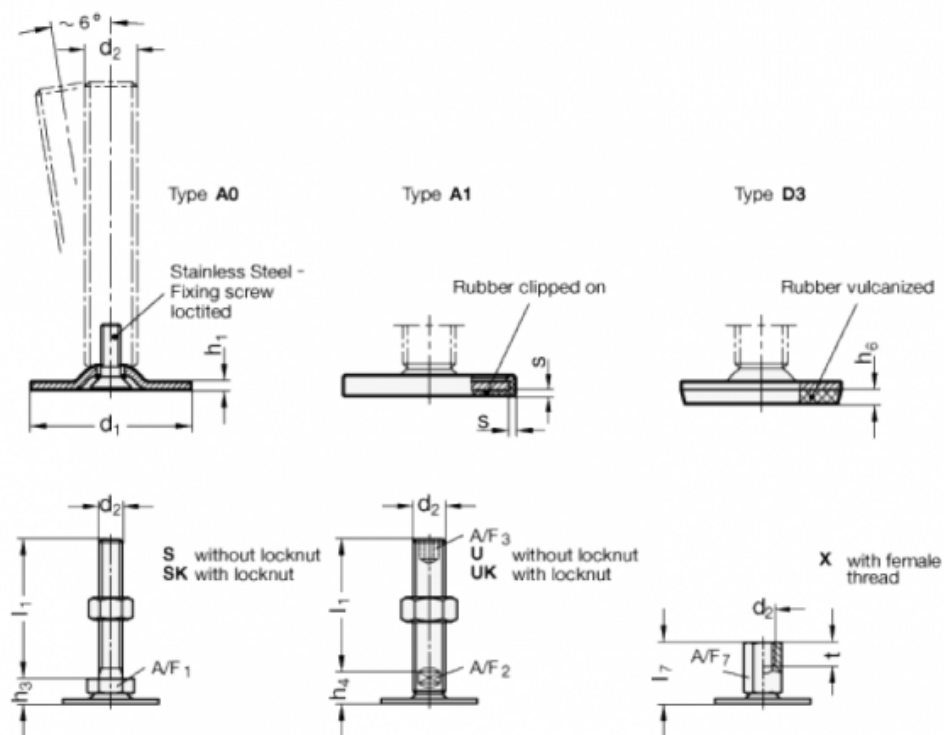


Article number: 204040M825A3X

Description: E+G levelling foot  
GN 40-40-M8-25-A3-X

Note: X With female thread, External hexagon

## Measures



A/F7	= 14
d1	= 40
d2	= M8
h1	= 2
h6	= 3.5
h7	= 25
s	=
t	= 8